

**NOBLELIFT**

[www.noblelift.com](http://www.noblelift.com)

# Avant

Lithium Powered Pallet Truck



NEW *Noblelift Products*  
ARRIVAL



NOBLELIFT INTELLIGENT EQUIPMENT CO., LTD.

## Brief Introduction of Avant

The inspiration for Avant comes from the PT16/20L series, which has a decade of successful market experience in heavy-duty models. It inherits the classic enclosed box-type design, featuring a more robust structure, higher waterproof and dustproof ratings, along with strong power. At the same time, it possesses the lightness and flexibility of a small material-handling vehicle, capable of efficiently working in various narrow spaces such as supermarkets, warehouses, logistics centers, sorting centers, truck compartments, containers, and freight elevators.



## Delivery application

Optimized vehicle dimensions and self-weight make it convenient to use inside trucks and elevators, occupying less cargo weight and space.

(optional) 24V 8A truck charger available for charging between delivery operations.



(Optional) charger

## Small turning radius



**The vehicle is capable of making turns in confined spaces.**

The compact vehicle body design, coupled with the upright walking function, is capable of handling work in narrow spaces such as truck compartments, containers, freight elevators, small warehouses, and supermarket aisles.

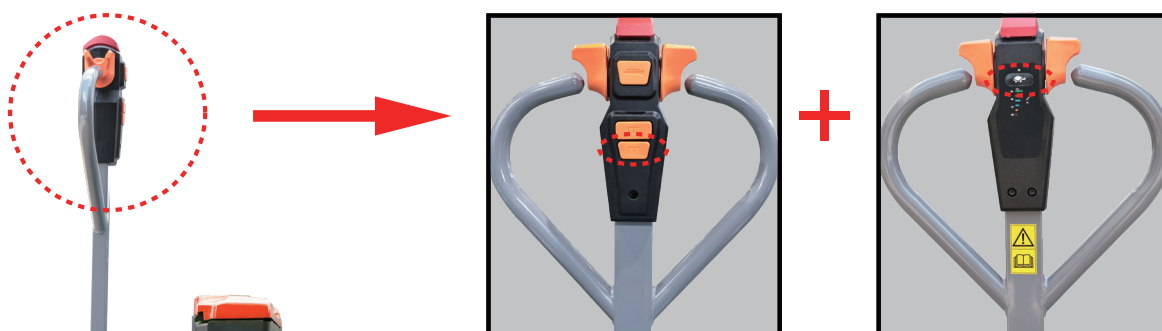
The handle is integrated with multiple functions, making operation convenient. It comes standard with a battery level display and fault indicator, allowing the truck condition to be easily assessed at a glance, enhancing truck management safety. All switches and buttons are ergonomically designed for easy operation.



## Brake overriding mode

Press and hold the lowering button and the turtle-speed switch on the handle for 7 seconds, and the brake will be released. This allows you manually pull the truck for its relocation.

**⚠** The brake release is for forced relocation only and must not be used for regular operation.



# Performance & Strength

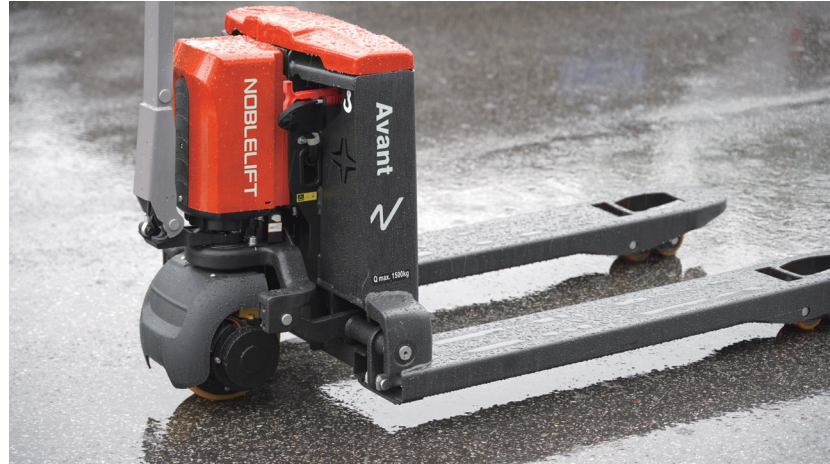
The enclosed body structure provides excellent protection for the main components while ensuring the comfort of maintenance.



Forks feature a unique structural design that allows for quick entry and exit from pallets. The leg plates are designed with an integrated stamping process, maximizing the strength of the forks.



Avant is equipped with a 24V DC permanent magnet motor and large-diameter drive wheel, offering strong obstacle-overcoming capabilities.



The classic enclosed box-type design ensures a more robust structure with higher waterproof and dustproof ratings.

## High-strength frame design

High-strength and compact frame design ensures truck's robustness.

With a larger climbing angle, capable of reaching up to 6% even when fully loaded, the vehicle can be easily operated on leveling platforms and in various other delivery environments.



# Green energy & Easy maintenance

## Optional different Battery Capacities for applications

Avant comes standard with maintenance-free lithium iron phosphate batteries, equipped with an integrated BMS (Battery Management System) that ensures intelligent battery control and maximizes performance.

### PWB-150



24V/20Ah

24V/40Ah

24V/60Ah

### PWB-200



48V/10Ah

48V/20Ah



An external programming port makes parameter adjustments and overall vehicle maintenance more convenient and efficient.



The hydraulic system is highly integrated with the electrical system, facilitating easy installation and maintenance.

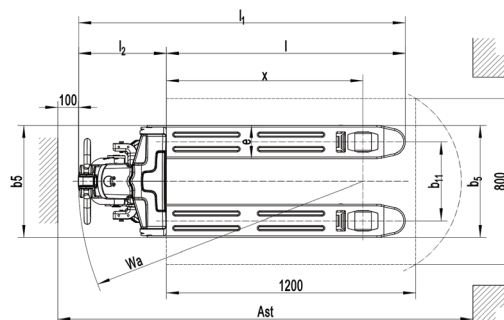
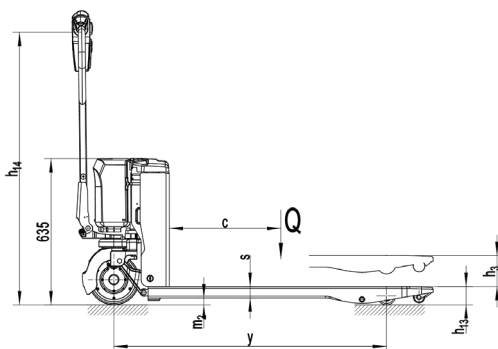


One-piece steel battery cover for perfect protection



The steel battery cover can be easily opened allowing quick battery replacement.

Identification					
1.2	Manufacturer's type designation			PWB-150	PWB-200
1.3	Drive			Battery	Battery
1.4	Operator type			Pedestrian	Pedestrian
1.5	Load Capacity / rated load	Q (t)		1.5	2.0
1.6	Load centre distance	c (mm)		600	600
1.8	Load distance ,centre of drive axle to fork	x (mm)		947	947
1.9	Wheelbase	y (mm)		1189	1189
Weights					
2.1	Service weight	kg		130	140
2.2	Axle loading, laden front/rear	kg		520/1110	525/1115
2.3	Axle loading, unladen front/rear	kg		99/31	108/32
2.3				107/32	114/34
Wheels\ Chassis					
3.1	Tires			PU	PU
3.2	Tire size,front	Øx w (mm)		Ø210×75	Ø210×75
3.3	Tire size,rear	Øx w (mm)		Ø 80×60 ( 80×83)	Ø 80×60 ( 80×83)
3.4	Wheels,number front/rear(x=driven wheels)			1x/ 2(1x/ 4)	1x/ 2(1x/ 4)
3.7	Tread, rear	b11 (mm)		380	525
3.7				380	525
Basic Dimensions					
4.4	Lift	h3 (mm)		115	115
4.9	Height of tiller in drive position min./ max.	h14 (mm)		630 / 1230	630 / 1230
4.15	Height, lowered	h13 (mm)		80	80
4.19	Overall length	l1 (mm)		1530	1530
4.20	Length to face of forks	l2 (mm)		380	380
4.21	Overall width	b1 (mm)		540	685
4.22	Fork dimensions	s/e/l (mm)		50 / 160 / 1150	50 / 160 / 1150
4.25	Width across forks	b5 (mm)		540	685
4.32	Ground clearance, centre of wheelbase	m2 (mm)		30	30
4.34	Aisle width for pallets800X1200 lengthways(200mm safe distance)	Ast (mm)		2005	2005
4.35	Turning radius	Wa (mm)		1332	1332
Performance Data					
5.1	Travel speed, laden/ unladen	km/h		4.2/4.3	4.2/4.6
5.2	Lift speed, laden/ unladen	m/s		0.017/0.024	0.015/0.020
5.3	Lowering speed, laden/ unladen	m/s		0.027 / 0.047	0.024/0.033
5.8	Max. gradeability, laden/ unladen	%		6/20	7/20
5.10	Service brake			Electromagnetic	Electromagnetic
E-Motor					
6.1	Drive motor rating S2 60min	kW		0.75	1.0
6.2	Lift motor rating at S3 10%	kW		0.5	0.8
6.3	Battery acc. to DIN 43531/ 35/ 36 A, B, C, no			No	No
6.4	Battery voltage, nominal capacity K5	V / Ah		24/20(24/40; 24/60)	48 /10(48 / 20)
6.5	Battery weight	kg		5.9	6
6.6	Energy consumption acc. to VDI cycle	kWh/h		0.188	0.264
Other Details					
8.1	Type of drive control			DC speed Control	DC speed Control
8.4	Sound level at driver's ear acc. to EN 12053	dB (A)		<70	<70





Official website



Our Wechat



## NOBLELIFT CHINA

Add:528 Changzhou Road, Taihu Sub-district,  
Changxing, Zhejiang 313100 China  
Tel:86-572-6210817 6210311  
Fax:86-572-6210777 6128612  
Email: info@noblelift.com  
Http: www.noblelift.com www.noblelift.cn

## NOBLELIFT NORTH AMERICA

Add:2461 S Wolf Road Des Plaines, IL 60018  
Tel:001-847-595-7100  
Fax:001-847-595-7200  
Email: sales@nobleliftna.com  
Http: www.nobleliftna.com

## NOBLELIFT GERMANY

Werner-von-Siemens-Str. 12, 24568 Kaltenkirchen,  
Germany  
Tel : +49 (0) 4191 - 9575603  
Email: Mail@Noblelift-Germany.com  
Http: www.Noblelift-Germany.com

## NOBLELIFT RUSSIA

ООО «Ноблелифт Рус», 195067, Санкт-Петербург  
пр. Маршала Блюхера, д. 78, литер Б  
Тел.: +7-800-700-28-97  
Email: sales@noblelift.com.ru  
Http: www.noblelift.com.ru

## NOBLELIFT EUROPE

Registered Add: 24 rue Lamartine,  
38320 Eybens, France  
Tel: +33 5 19 08 12 80  
Email: support.eu@noblelift.com  
Http: www.noblelift-eu.com

## NOBLELIFT SOUTH EAST ASIA

No. 7, Jalan Astaka U8/84A, Seksyen U8, Bukit Jelutong,  
40150 Shah Alam, Selangor Darul Ehsan, Malaysia.  
Tel: +603 7831 8555  
Email: sales@nobleliftsea.com  
https: www.nobleliftsea.com